

C:\Users\lswani\Documents\CMTA\_HDTC25\_MEP1\_FP2\_Rev.dwg 6/7/2024 12:19:27 PM

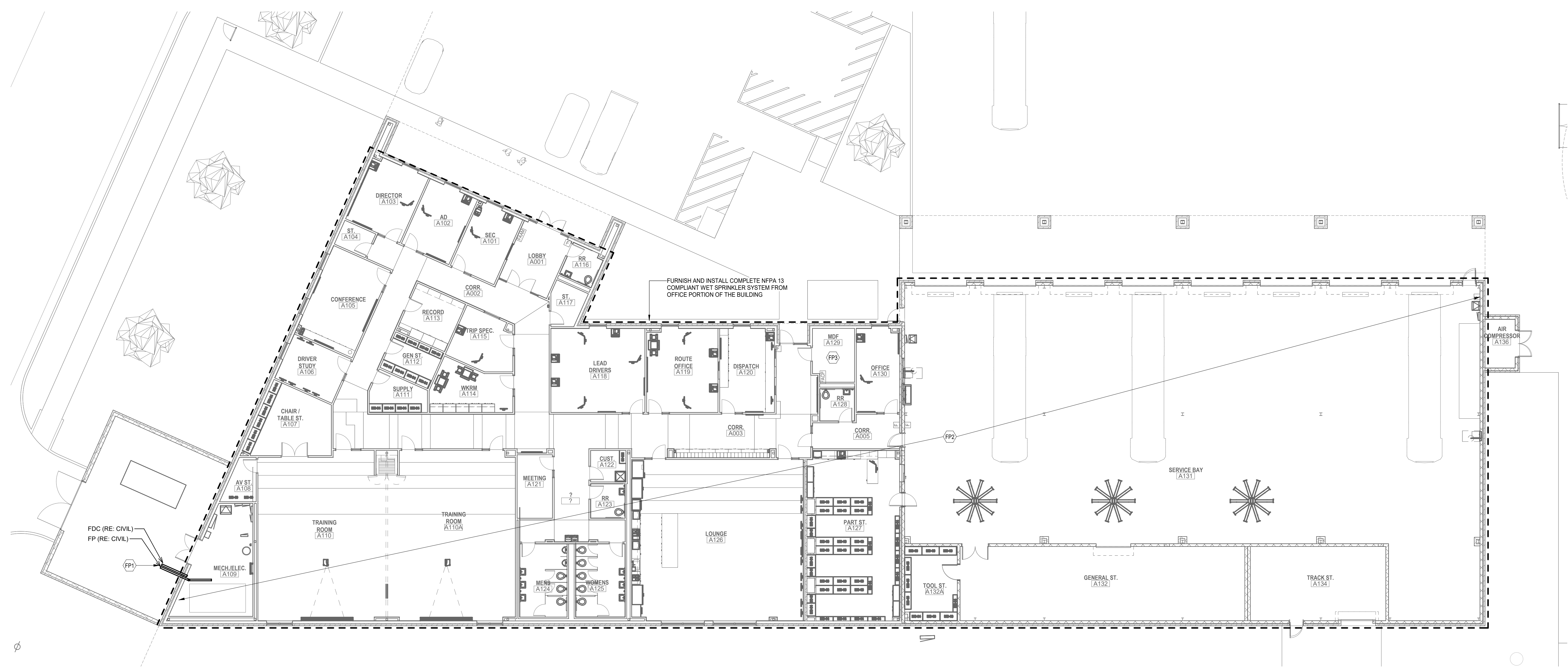
BINDING EDGE

BINDING EDGE

TAGGED NOTES	
FP1	FIRE WATER LINE FROM SITE. REFER TO CIVIL PLANS FOR CONTINUATION AND BFP LOCATION.
FP2	INSTALL COMPLETE WET PIPE SPRINKLER SYSTEM IN ACCORDANCE WITH NFPA 13 AND AHJ. PIPE SIZES AND ROUTE ARE TO BE DETERMINED BY HYDRAULIC CALCULATIONS, FF ENGINEER AND CONTRACTOR.
FP3	PROVIDE SIDE WALL SPRINKLER HEADS IN WATER SENSITIVE LOCATIONS, ELECTRICAL, MFG OR IT ROOMS. NO SPRINKLER MAINS ROUTE ABOVE THESE SPACES.

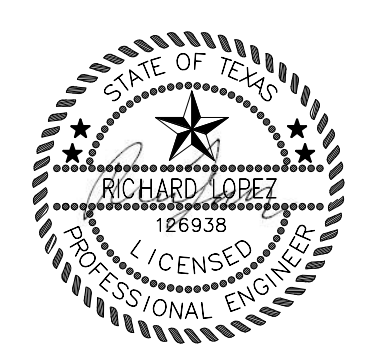
**FIRE PROTECTION NOTES**

- ALL AREAS SHALL BE PROTECTED BY A 100% WET PIPE FIRE SUPPRESSION SYSTEM INSTALLED IN STRICT ACCORDANCE WITH NFPA-13 AND THE PROJECT SPECIFICATIONS.
- ALL AREAS ARE PRESENTLY PROTECTED BY A 100% WET PIPE FIRE SUPPRESSION SYSTEM. CONTRACTOR SHALL MODIFY THE SYSTEM AS REQUIRED TO MAINTAIN 100% PROTECTION, IN ACCORDANCE WITH NFPA 13 AND SPECIFICATIONS.
- REFER TO A COMPLETE SET OF DOCUMENTS (ARCHITECTURAL, STRUCTURAL, MECHANICAL AND ELECTRICAL PLANS AND SPECIFICATIONS) FOR COORDINATION OF TRADES, ROOMS, STRUCTURE AND EQUIPMENT.
- WHERE CEILINGS ARE INDICATED ALL SPRINKLER PIPING MUST BE INSTALLED ABOVE CEILINGS. SPRINKLER PIPING MUST BE COORDINATED WITH OTHER TRADES. PIPING MUST BE OFFSET TO AVOID CONFLICTS WITH DUCTWORK, CONDUIT, ALL EQUIPMENT, ETC.
- INSTALL HEADS IN CENTER OF 2'X2' TILES. INSTALL HEADS ON 1/4 POINTS OF THE 4' DIMENSION AND CENTER OF THE 2' DIMENSION IN 2'X4' TILES. DO NOT MOUNT HEADS IN CENTER OF 2'X4' TILE IF IT IS SCORED TO LOOK LIKE TWO 2'X2' TILES.
- ALL FIRE PROTECTION PIPE SIZES SHALL BE HYDRAULICALLY CALCULATED IN ACCORDANCE WITH NFPA-13.
- ALL SPRINKLER HEADS SHALL BE QUICK RESPONSE SPRINKLER HEADS.
- THE FIRE PROTECTION CONTRACTOR SHALL PERFORM HIS OWN FLOW TEST PRIOR TO SUBMITTING SHOP DRAWINGS.



① LEVEL 01 - FIRE PROTECTION PLAN  
3/32" = 1'-0"

**DPISD TRANSPORTATION CENTER**  
 502 E SECOND ST., DEER PARK, TX 77536  
 DEER PARK INDEPENDENT SCHOOL DISTRICT



CMTA F-8627  
June 7, 2024

Revision Schedule		
NO.	ISSUE	DATE

Sheet Information	
Date	June 7, 2024
Job Number	23-004
Drawn	Author
Checked	Checker
Approved	Approver
	Title

**LEVEL 01 - FIRE PROTECTION PLAN**

Sheet  
**FP2.01**

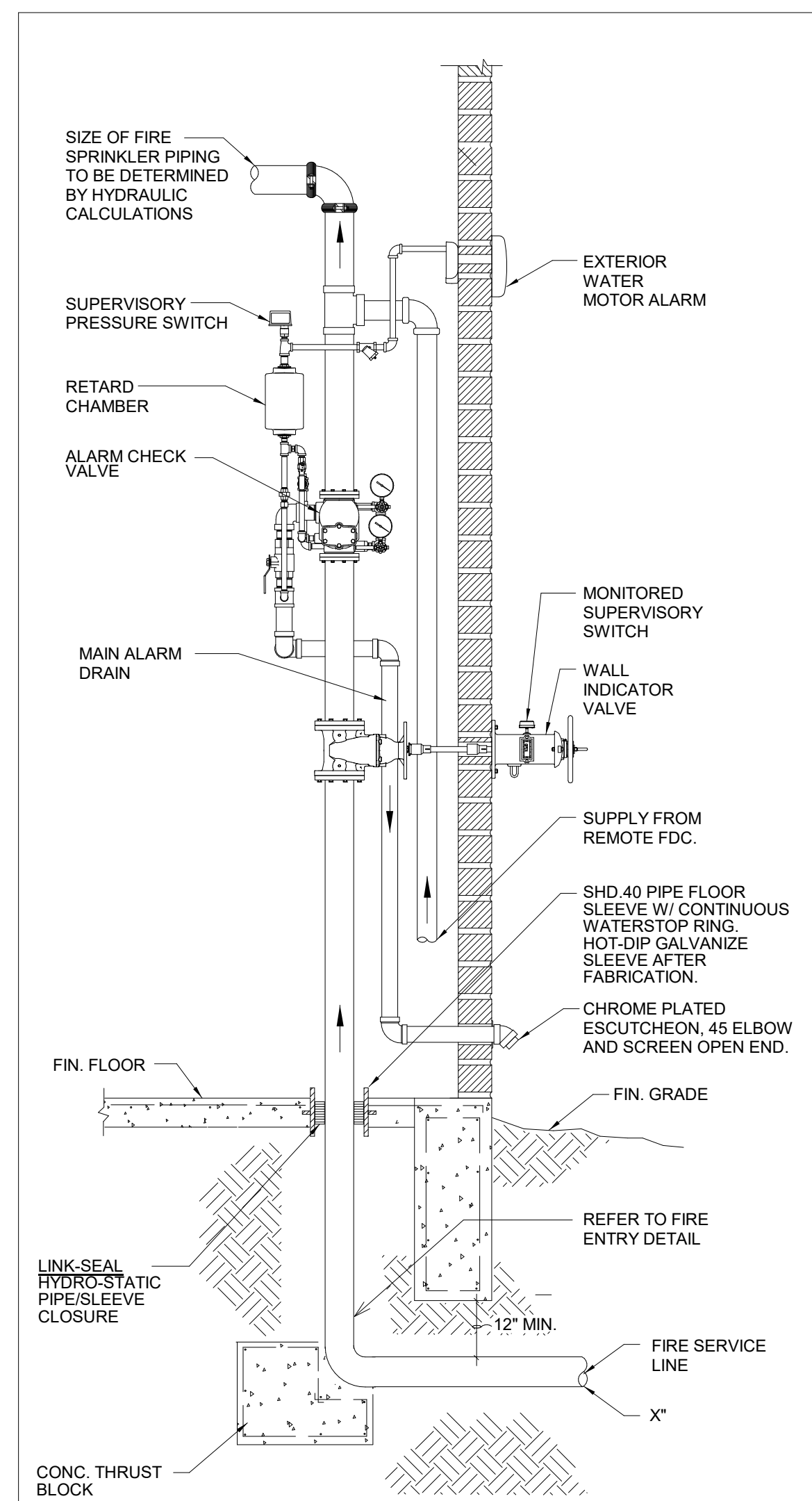


### PIPING MATERIAL SCHEDULE

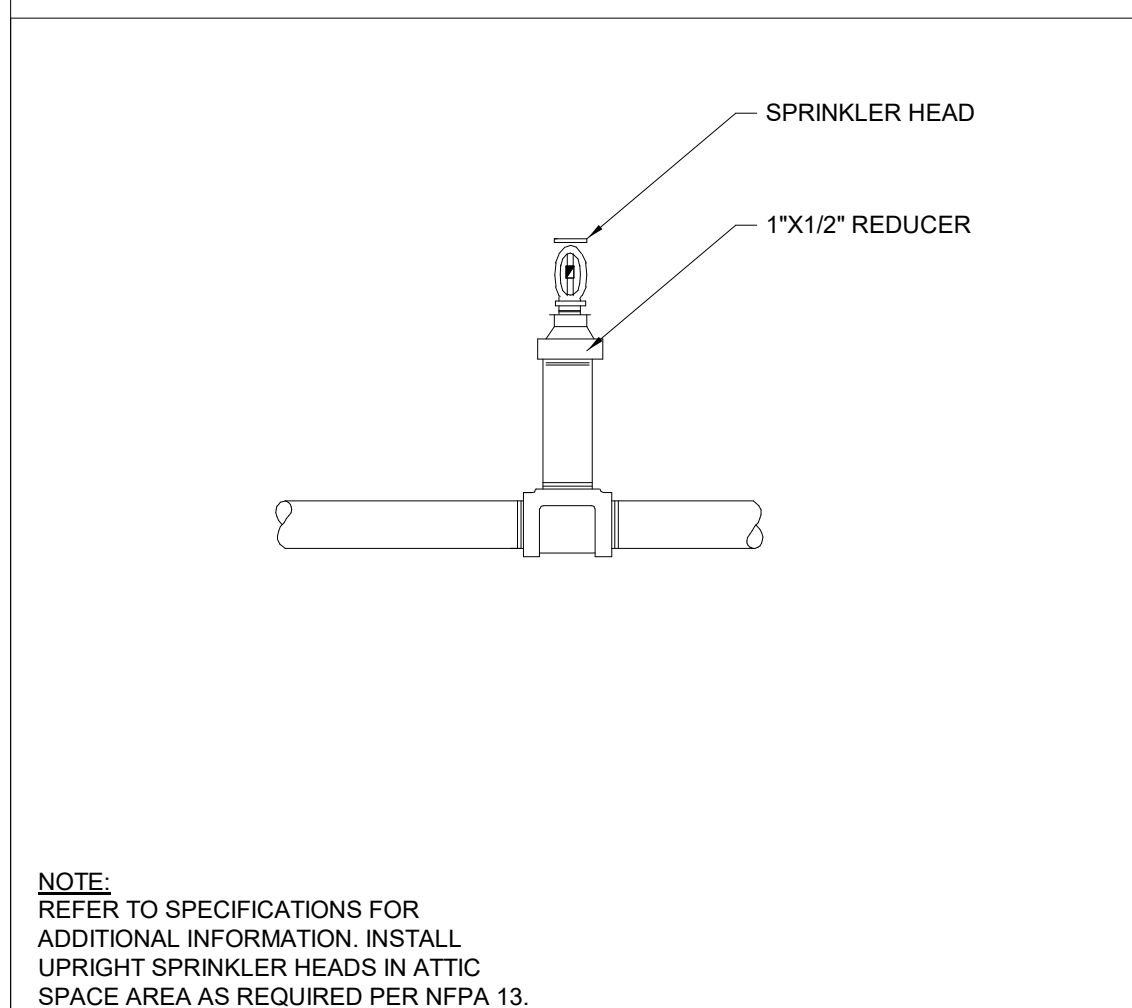
- WET PIPE FIRE PROTECTION BURIED.**  
BURIED PIPING TO BE PRESSURE CLASS 250 MINIMUM DUCTILE IRON PRESSURE PIPE, CEMENT LINED AND TAR COATED, PUSH-ON OR MECHANICAL JOINT. FITTINGS SHALL BE MINIMUM 250 PSIG RATED WORKING PRESSURE DUCTILE IRON, CEMENT LINED AND TAR COATED, PUSH-ON OR MECHANICAL JOINT. WRAP ALL PIPE AND FITTINGS WITH 8 MIL MIN. POLYETHYLENE LOOSE WRAP. FOR BUILDING SERVICE ENTRIES, AMES 304 STAINLESS STEEL IN-BUILDING RISER IS ACCEPTABLE. WRAP PIPE WITH 8 MIL MIN. POLYETHYLENE LOOSE WRAP.
- WET PIPE FIRE PROTECTION ABOVE SLAB.**  
SCHEDULE 40 BLACK STEEL PIPE WITH CLASS 150 BLACK MALLEABLE IRON SCREWED FITTINGS. WHERE MAXIMUM SYSTEM WORKING PRESSURE WILL NOT EXCEED 175 PSIG, CLASS 125 BLACK CAST IRON SCREWED FITTINGS MAY BE USED IN LIEU OF MALLEABLE IRON FOR SIZES 3/4" AND SMALLER. SCHEDULE 40 BLACK STEEL PIPE MAY BE USED FOR WET PIPE FIRE SPRINKLER PIPING 1" AND LARGER. PIPING 1" AND LARGER SHALL BE JOINED WITH VICTAULIC DOMESTIC MANUFACTURER FITTINGS WITH A MINIMUM 600 PSIG RATED WORKING PRESSURE UTILIZING ROLL GROOVES, VICTAULIC COUPLING TO BE STYLE 177 OR 107H. VICTAULIC REDUCING COUPLINGS, "FIT", "PRESS FIT", STRAP TYPE MECHANICAL TEES SHALL NOT BE USED.
- REFER TO SPECIFICATIONS FOR ADDITIONAL REQUIREMENTS.**

### FIRE PROTECTION NOTES:

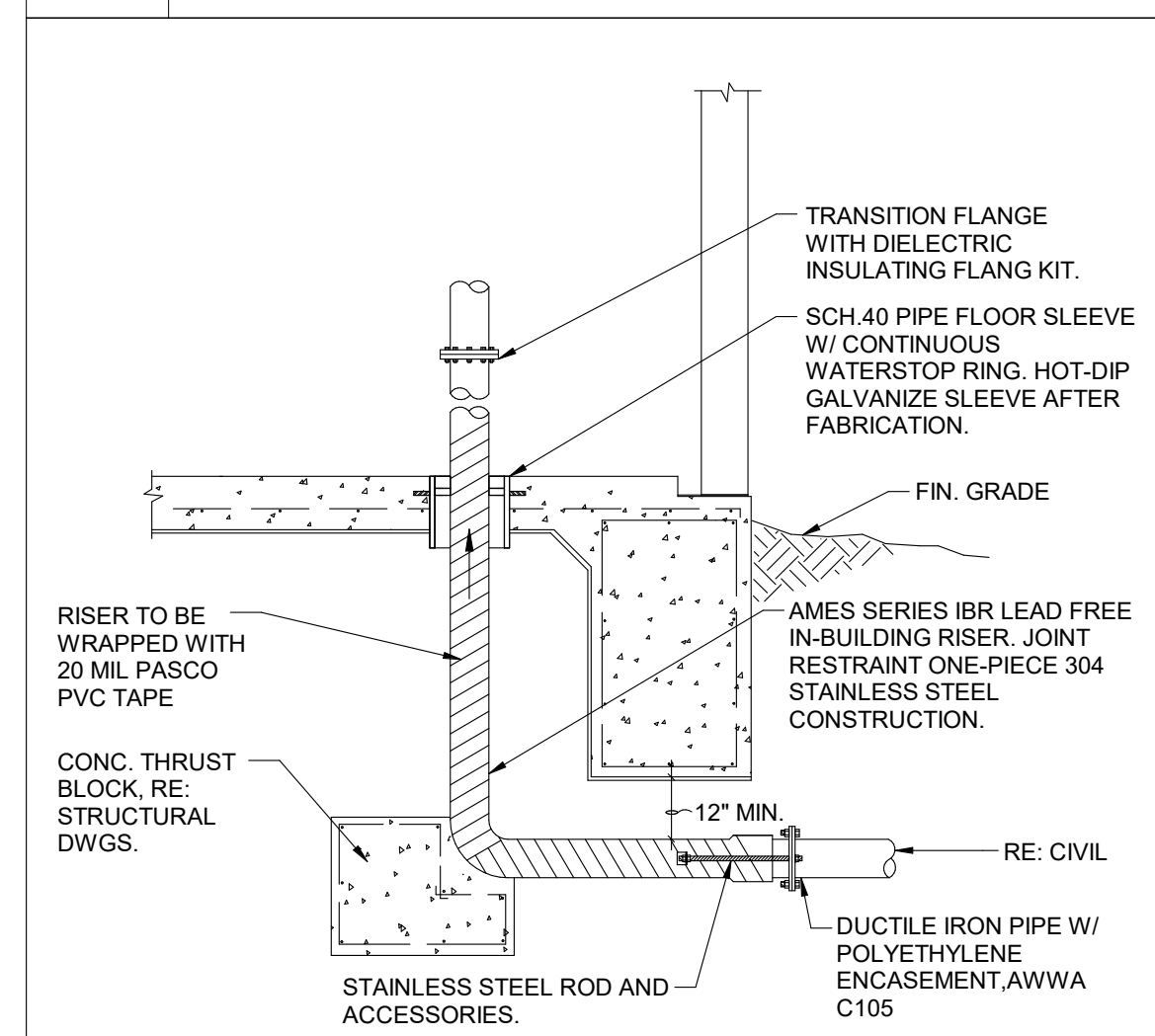
- ALL OUTLINED AREAS SHALL BE 100% COVERED WITH A FIRE PROTECTION SYSTEM DESIGNED IN ACCORDANCE WITH NFPA 13. THE OUTLINED AREA SHALL BE PROTECTED WITH A WET PIPE SYSTEM UNLESS NOTED OTHERWISE.
- THE SUCCESSFUL FIRE PROTECTION CONTRACTOR SHALL OBTAIN AND UTILIZE THE ARCHITECTURAL REFLECTED CEILING PLAN FOR LAYING OUT THE SPRINKLER HEADS. THE REFLECTED CEILING PLANS SHOWN ARE TO COORDINATE CEILING TYPES AND LOCATIONS. REFER TO THE MECHANICAL AND ELECTRICAL DRAWINGS FOR CEILING DEVICE LOCATIONS. REFER TO SPECIFICATIONS FOR COORDINATION DRAWING REQUIREMENTS.
- REFER TO A COMPLETE SET OF DOCUMENTS (ARCHITECTURAL, STRUCTURAL, MECHANICAL AND ELECTRICAL PLANS AND SPECIFICATIONS) FOR COORDINATION OF TRADES, ROOMS, STRUCTURE AND EQUIPMENT.
- WHERE CEILINGS ARE INDICATED ALL SPRINKLER PIPING MUST BE INSTALLED ABOVE CEILINGS. SPRINKLER PIPING MUST BE COORDINATED WITH OTHER TRADES PIPING MUST BE OFFSET TO AVOID CONFLICTS WITH DUCTWORK, CONDUIT, ALL EQUIPMENT, ETC.
- ALL OUTLINED AREAS SHALL HAVE "SEMI-RECESSED" (CONCEALED TYPE) QUICK RESPONSE TYPE SPRINKLER HEADS (UNLESS OTHERWISE NOTED ON THE PLANS). VICTAULIC BRAIDED STAINLESS STEEL FLEXIBLE HOSE ASSEMBLIES WITH SUPPORT BRACKETS ARE ACCEPTABLE. COVER PLATES TO BE WHITE UNLESS NOTED OTHERWISE.
- UTILIZE UPRIGHT AND/OR WALL MOUNTED TYPE SPRINKLER HEADS IN AREAS WITHOUT CEILINGS.
- INSTALL HEADS IN CENTER OF 2' X 2' TILES. INSTALL HEADS ON 1/4 POINTS OF THE 4' DIMENSION AND CENTER OF THE 2' X 4' TILES. DO NOT MOUNT HEADS IN CENTER OF 2' X 4' TILE IF IT IS SCORED TO LOOK LIKE TWO 2' X 2' TILES.
- SPRINKLER SHOP DRAWINGS AND HYDRAULIC CALCULATIONS PREPARED BY A LICENSED SPRINKLER CONTRACTOR SHALL BE SUBMITTED TO THE PERMIT AUTHORITY, FACTORY MUTUAL AND ARCHITECT FOR REVIEW AND APPROVAL.
- SPRINKLER SHOP DRAWINGS AND HYDRAULIC CALCULATIONS PREPARED BY A LICENSED SPRINKLER CONTRACTOR SHALL BE SUBMITTED TO THE PERMIT AUTHORITY, FACTORY MUTUAL AND ARCHITECT FOR REVIEW AND APPROVAL.
- SYSTEM(S) PIPE SIZES SHALL BE HYDRAULICALLY CALCULATED UTILIZING DESIGN DENSITIES AND REMOTE AREA IN ACCORDANCE WITH NFPA 13.
- SYSTEM DESIGN, INSTALLATION AND MATERIALS SHALL BE IN ACCORDANCE WITH THE PERMIT AUTHORITY BUILDING CODE, NFPA 13, FACTORY MUTUAL AND ALL AUTHORITIES HAVING JURISDICTION.
- ALL MATERIALS AND EQUIPMENT SHALL BE UL LISTED AND APPROVED.
- COORDINATE SPRINKLER PIPING WITH NEW INSTALLATION OF DUCTWORK, CEILINGS AND LIGHT FIXTURES. REMOVE AND REPLACE EXISTING PIPING AS REQUIRED FOR COORDINATION WITH OTHER TRADES, EXISTING STRUCTURE AND NEW CEILINGS. LOCATE SPRINKLER HEADS IN THE APPROXIMATE CENTER OF CEILING TILES.
- VISIT JOBSITE PRIOR TO SUBMISSION OF BID TO DETERMINE ALL EXISTING CONDITIONS AND HOW THEY WILL RELATE WITH THE NEW CONSTRUCTION.
- BEFORE SHUTTING OFF A SECTION OF THE FIRE SERVICE SYSTEM TO MAKE SPRINKLER SYSTEM CONNECTION, NOTIFY THE FIRE DEPARTMENT, PLAN THE WORK CAREFULLY, AND ASSEMBLE ALL MATERIALS TO ENABLE COMPLETION IN THE SHORTEST POSSIBLE TIME. WORK STARTED ON CONNECTIONS SHOULD BE RUSHED TO COMPLETION WITHOUT INTERRUPTION, AND PROTECTION RESTORED AS PROMPTLY AS POSSIBLE. DURING THE IMPAIRMENT, PROVIDE EMERGENCY HOSE LINES, ADDITIONAL FIRE PAILS AND EXTINGUISHERS, AND MAINTAIN WATCH SERVICE IN THE AREAS AFFECTED.
- WHEN CHANGES INVOLVE SHUTTING OFF WATER FROM ANY CONSIDERABLE NUMBER OF SPRINKLERS FOR MORE THAN A FEW HOURS, TEMPORARY WATER SUPPLY CONNECTIONS SHOULD BE MADE TO SPRINKLER SYSTEMS SO THAT REASONABLE PROTECTION CAN BE MAINTAINED. IN ADDITION TO OLD SYSTEMS OR REVAMPING THEM, PROTECTION SHOULD BE RESTORED EACH NIGHT SO FAR AS POSSIBLE. THE FIRE DEPARTMENT SHALL BE NOTIFIED AS TO CONDITIONS.
- REFER TO SPECIFICATIONS FOR ADDITIONAL INFORMATION.



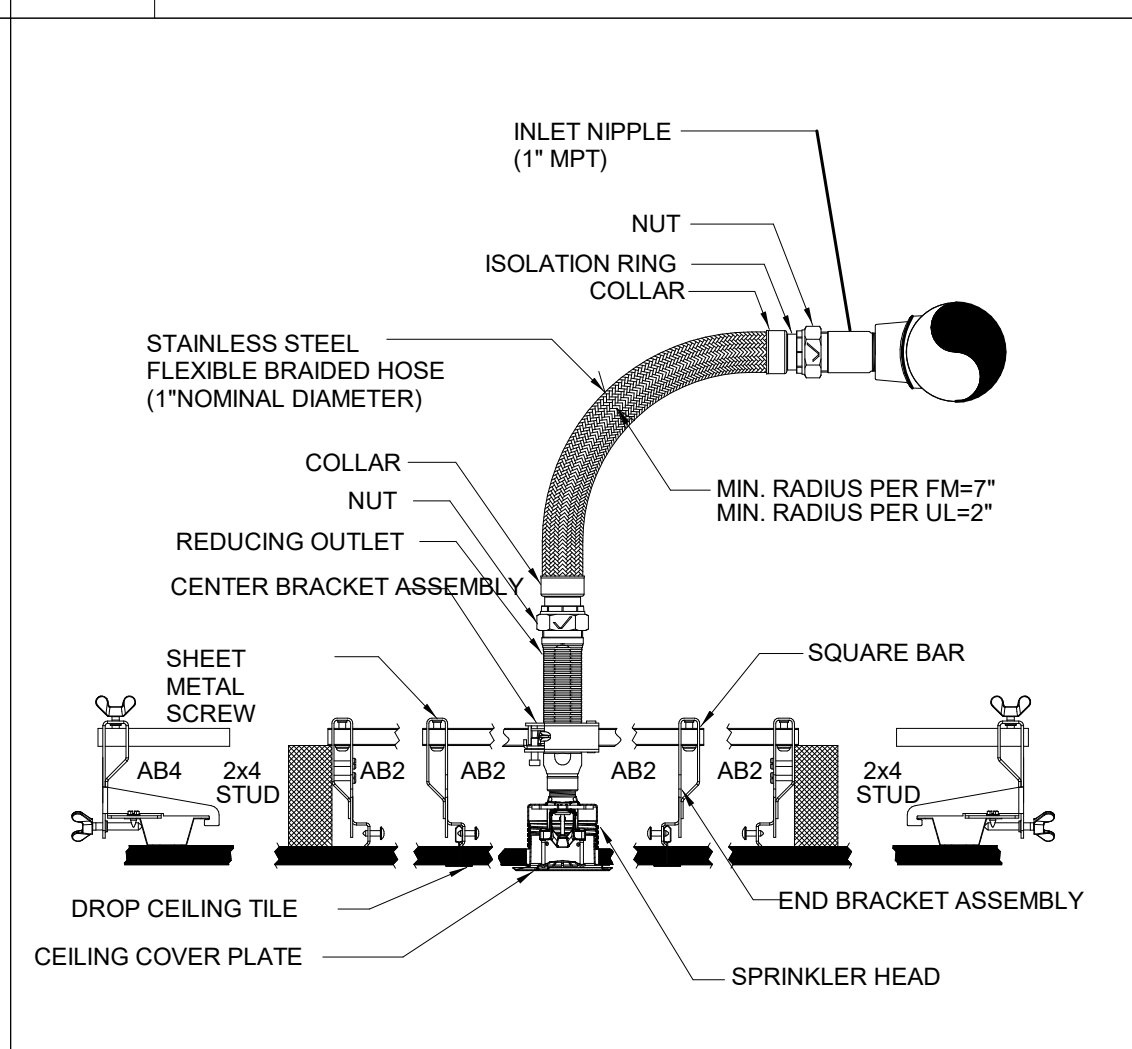
02 FIRE SERVICE ENTRY DETAIL  
NTS



04 UPRIGHT SPRINKLER HEADS  
NTS



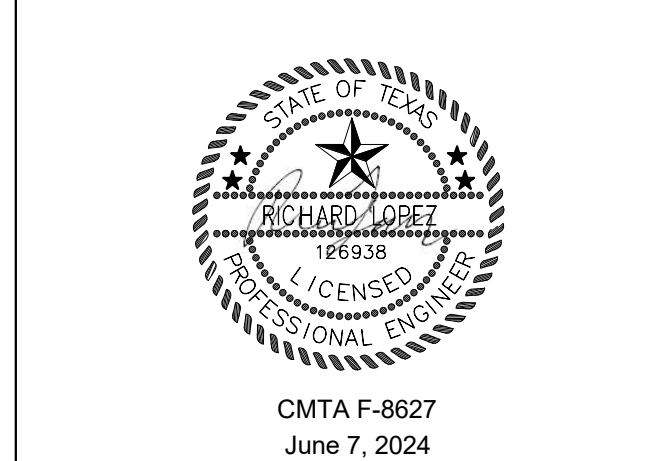
01 FIRE ENTRY DETAIL  
NTS



03 BRAIDED VICFLEX HOSE ASSEMBLIES  
NTS

# DPISD TRANSPORTATION CENTER

502 E SECOND ST., DEER PARK, TX 77536  
DEER PARK INDEPENDENT SCHOOL DISTRICT



NO.	ISSUE	DATE

Date	Author
June 7, 2024	23-094

## LEVEL 01 - FIRE PROTECTION DETAILS

# FP2.02