

ADDENDUM NO. 3

TO

**Deer Park Community Recreation Center
Phase 2
Deer Park, Texas**

August 22, 2023



8/22/2023

Project #s: 21822
From: Brinkley Sargent Wiginton Architects, Inc.
To: DuroTech Construction

This Addendum forms a part of the Contract Documents and modifies the original Bidding Documents.

PROJECT MANUAL MODIFICATIONS

None

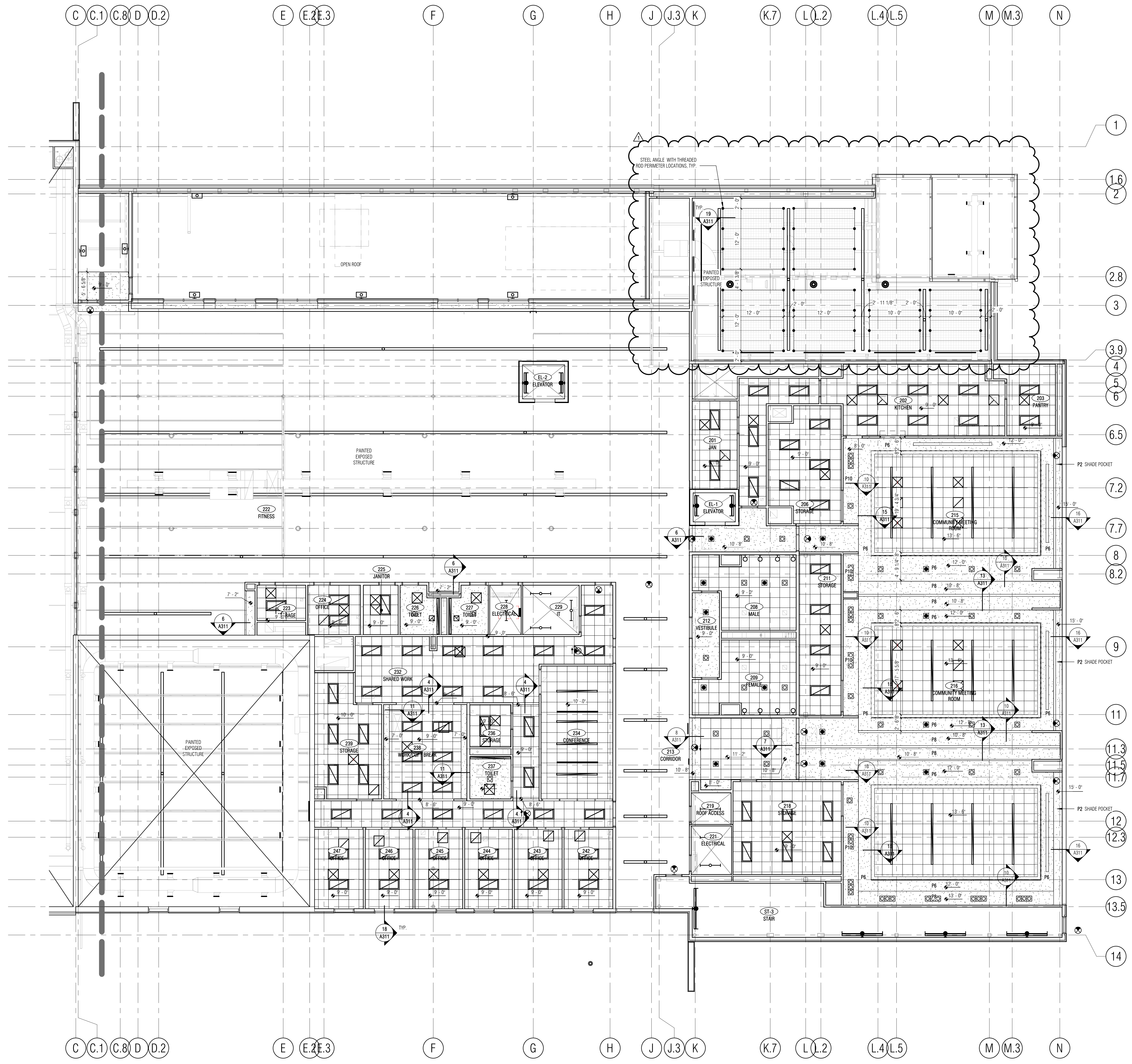
VOLUME 1 DRAWING MODIFICATIONS

- Item No. 1. Sheet A303 – LEVEL 2 REFLECTED PLAN – AREA A**
 - A. Lobby: Ceiling revised as shown on re-issued sheet.
- Item No. 2. Sheet A311 – CEILING DETAILS**
 - A. Detail 19: Revised as shown on re-issued sheet.

VOLUME 2 DRAWING MODIFICATIONS

None

END OF ADDENDUM



REFLECTED CEILING PLAN LEGEND

	EXPOSED ABOVE-PAINTED STRUCTURE		2X2 LAY-IN REF. FINISH SCHEDULE
	PAINTED DRYWALL		ACOUSTICAL FIBER PANELS
	SUSPENDED OR SURFACE MOUNTED LINEAR LIGHT		MECHANICAL DIFFUSER - SUPPLY
	RECESSED LIGHT FIXTURE		MECHANICAL DIFFUSER - RETURN

SHEET NOTES:

- MECHANICAL AND ELECTRICAL DATA SHOWN FOR REFERENCE ONLY. COORDINATE WITH MECHANICAL AND ELECTRICAL DRAWINGS. ANY CONFLICTS SHOULD BE ADDRESSED WITH ARCHITECT AS SOON AS POSSIBLE.
- ALL CEILING HEIGHTS ARE 9'-0" UNLESS NOTED OTHERWISE.
- CEILING HEIGHT REFERENCES ON RFP ARE SPECIFIC TO THE ROOMS FINISH FLOOR AND NOT GLOBAL ELEVATION REFERENCES.

FIRST LEVEL ROOM SCHEDULE

NUMBER	ROOM NAME
100	VEST
101	ROOM
101	VESTIBULE
102	LOBBY SEATING
103	LOBBY
104	CONTROL DESK
105	CORRIDOR
106	VEST
107	MALE
108	FEMALE
109	JANITOR
111	STORAGE
112	E SPORTS
113	FREE CORRIDOR
114	CORRIDOR
115	MULTIPURPOSE
115	UNASSIGNED
116	MULTIPURPOSE
117	MULTIPURPOSE
118	STORAGE
119	STORAGE
121	CORRIDOR
122	STORAGE
123	STORAGE
124	CONFERENCE
124	ELECTRICAL
125	WORK
126	OFFICE
127	BREAK
128	STORAGE
129	TOILET
131	TOILET
132	CHILD WATCH
133	STORAGE
134	CENTRAL STORAGE/JANITOR
135	SPRINKLER
138	ELECTRICAL
137	DATA
138	MECHANICAL
141	CONCOURSE
142	CORRIDOR
143	VESTING
144	VEST
145	INSTRUCTOR OFFICE
146	DANCE
147	STORAGE
148	VEST
149	GROUP EXERCISE
150	STORAGE
151	VEST
152	LOCKERS
153	MALE SHOWERS
154	MALE
155	VESTIBULE
156	VEST
157	FEMALE
158	LOCKERS
159	FEMALE SHOWERS
160	VESTIBULE
161	JANITOR
162	CORRIDOR
163	CORRIDOR
164	VESTIBULE
165	CAREGIVER
166	CAREGIVER
167	THERAPY POOL DECK
169	FIRST AID
170	FEMALE SHOWERS
171	POOL STORAGE
172	POOL MECH
173	CHLORINE
174	ACID
175	GYM
176	GYM STORAGE
177	MALE
178	FEMALE
179	VEST
180	STORAGE

LEVEL 2A - REFLECTED CEILING PLAN
 NORTH PLAN
 SCALE: 1/8" = 1'-0"

Deer Park Community Recreation Center

610 E San Augustine St
 Deer Park, TX 77536

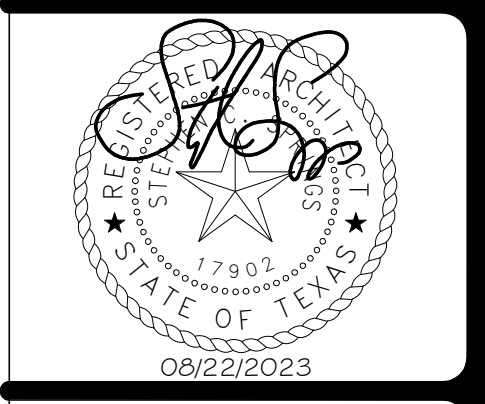
VOLUME 1

Architect: Brinkley Sargent Wiginton Architects (72) 966-9970
 Landscape: Kendall Landscape Architecture (214) 739-3226
 Structural: L.A. Fuss Partners, Inc. (214) 871-7010
 MEP: M-E Engineers (214) 741-1589
 Civil: Kimley-Horn (713) 510-9408
 Acoustics: Cousins-Humsker (314) 894-1245

BRINKLEY SARGENT WIGINTON ARCHITECTS

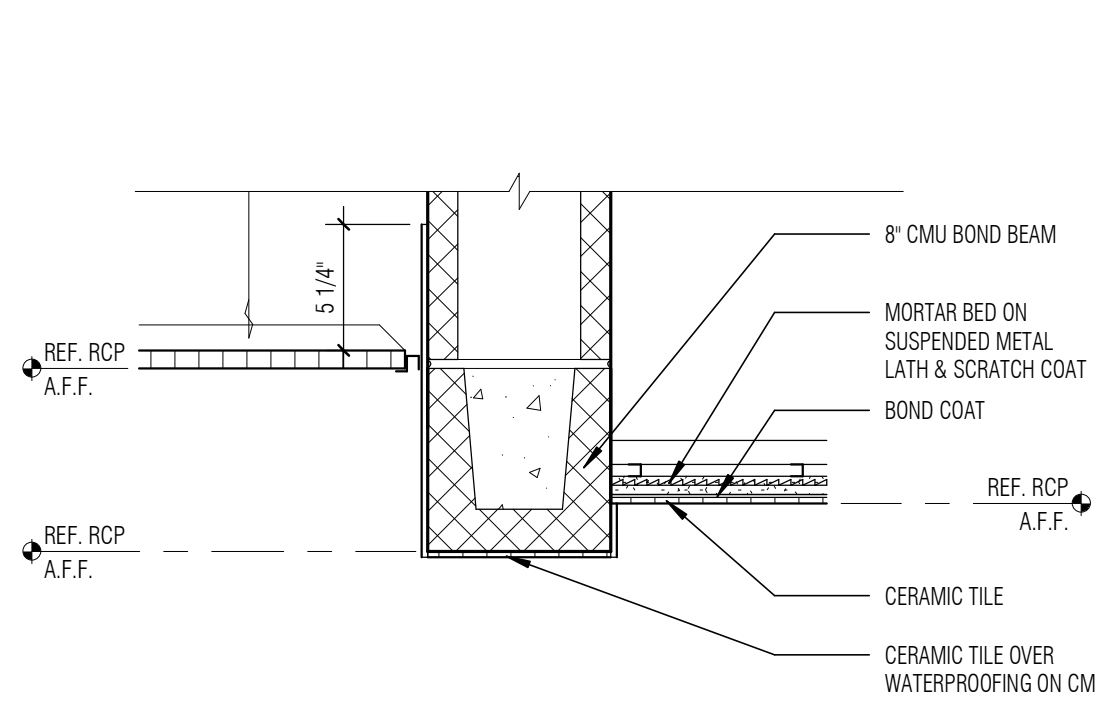
HISTORY

#	DATE	DESCRIPTION
1	08/22/2023	ADDENDUM #3

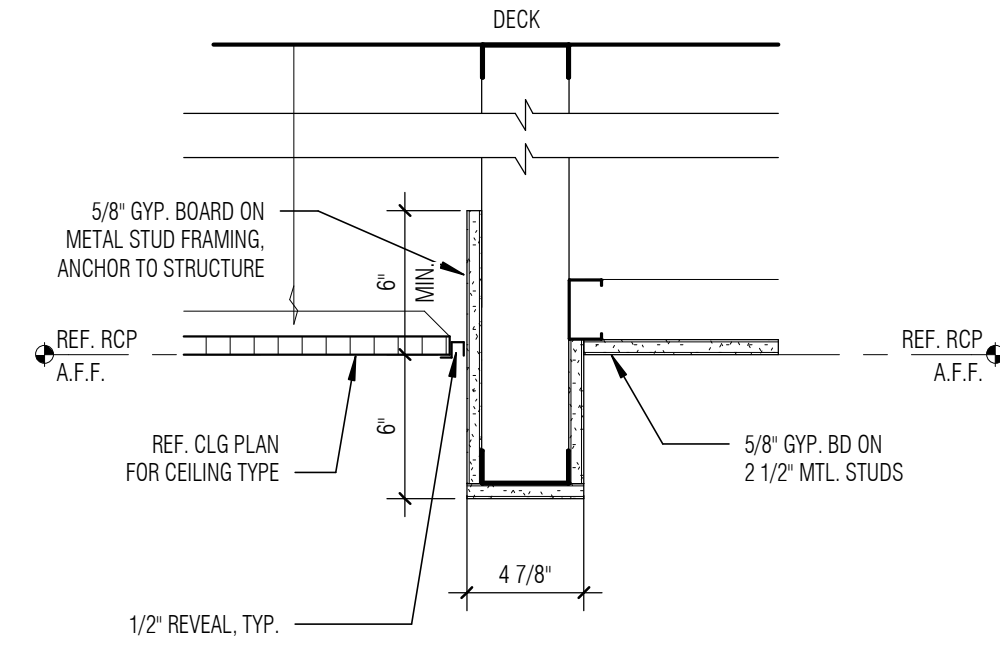


LEVEL 2A - REFLECTED CEILING PLAN

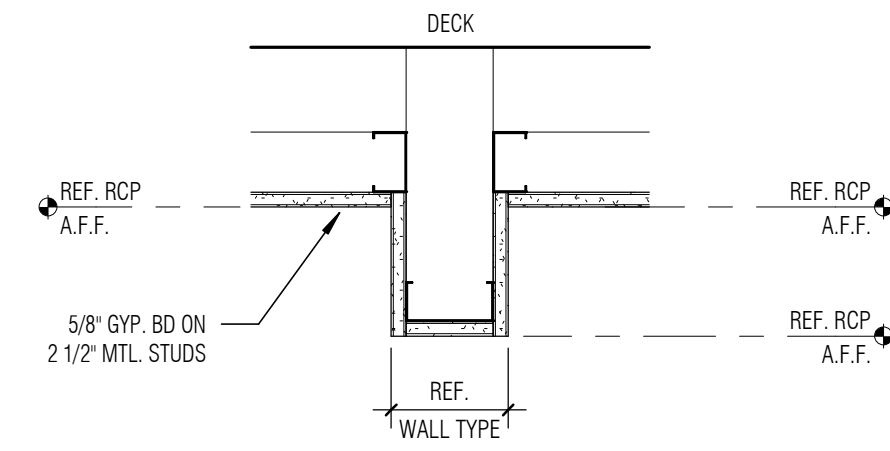
BID ISSUE (PHASE 2)



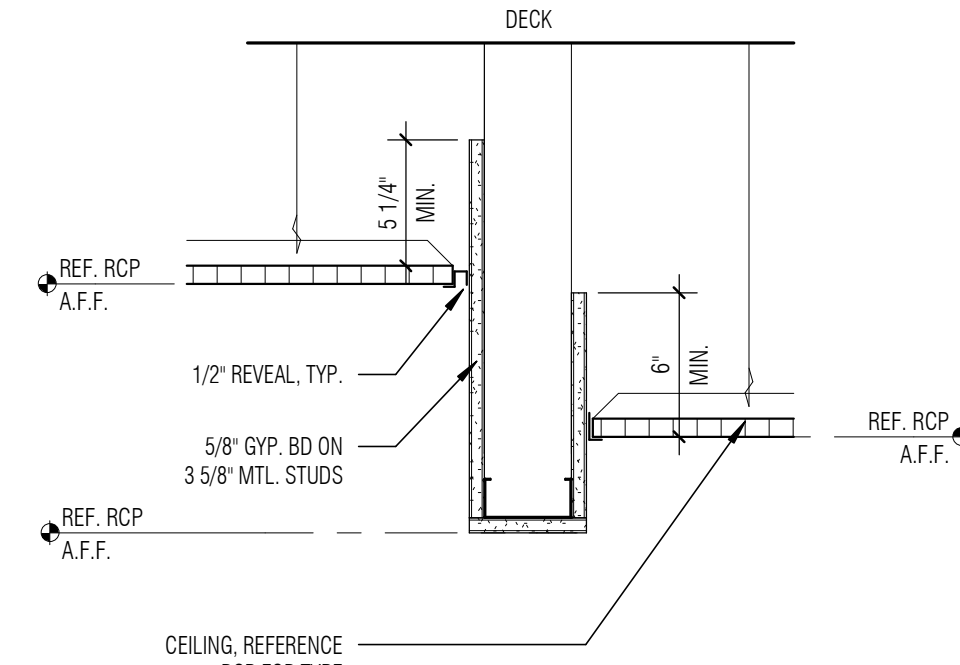
1 CD CMU TILE-SUSP - SHOWER
SCALE: 1 1/2" = 1'-0"



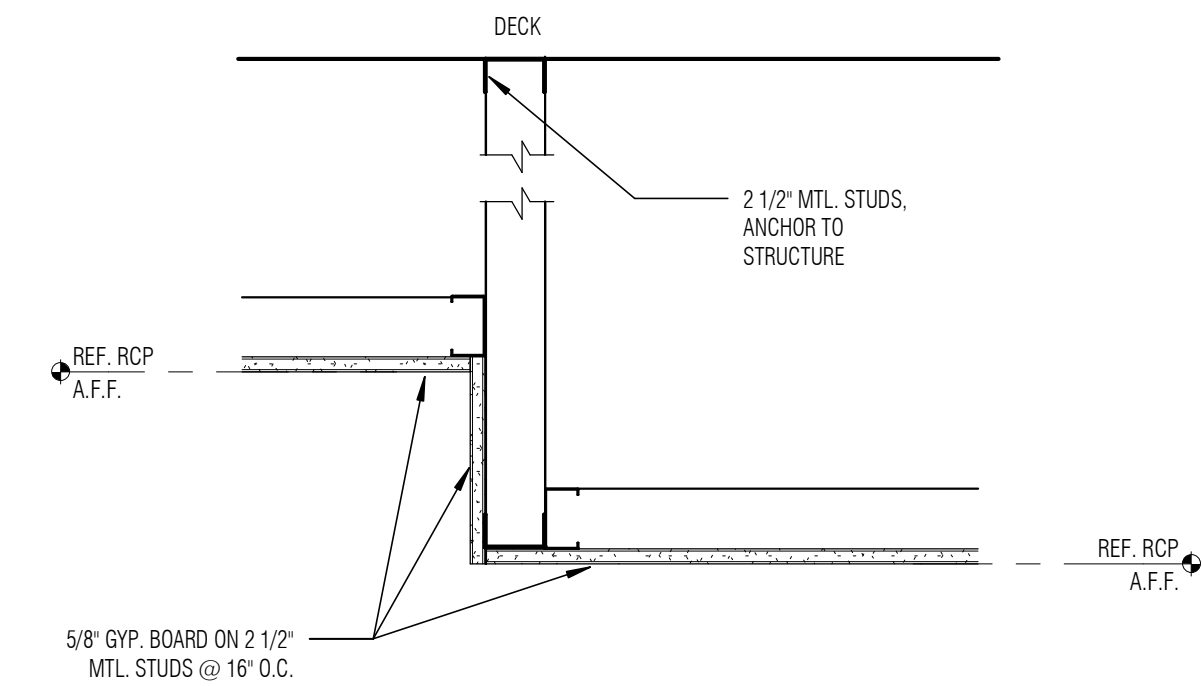
2 GYP. HEADER AT GYP./ LAY-IN CLG.
SCALE: 1 1/2" = 1'-0"



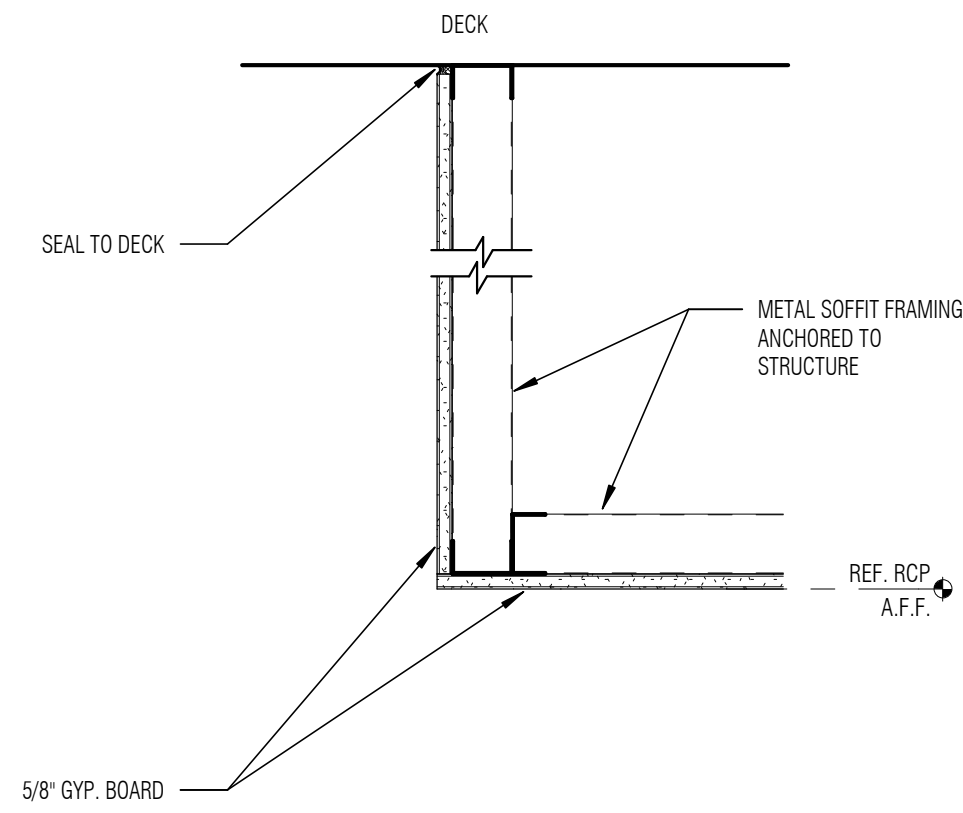
3 GYP. HEADER AT GYP CLG.
SCALE: 1 1/2" = 1'-0"



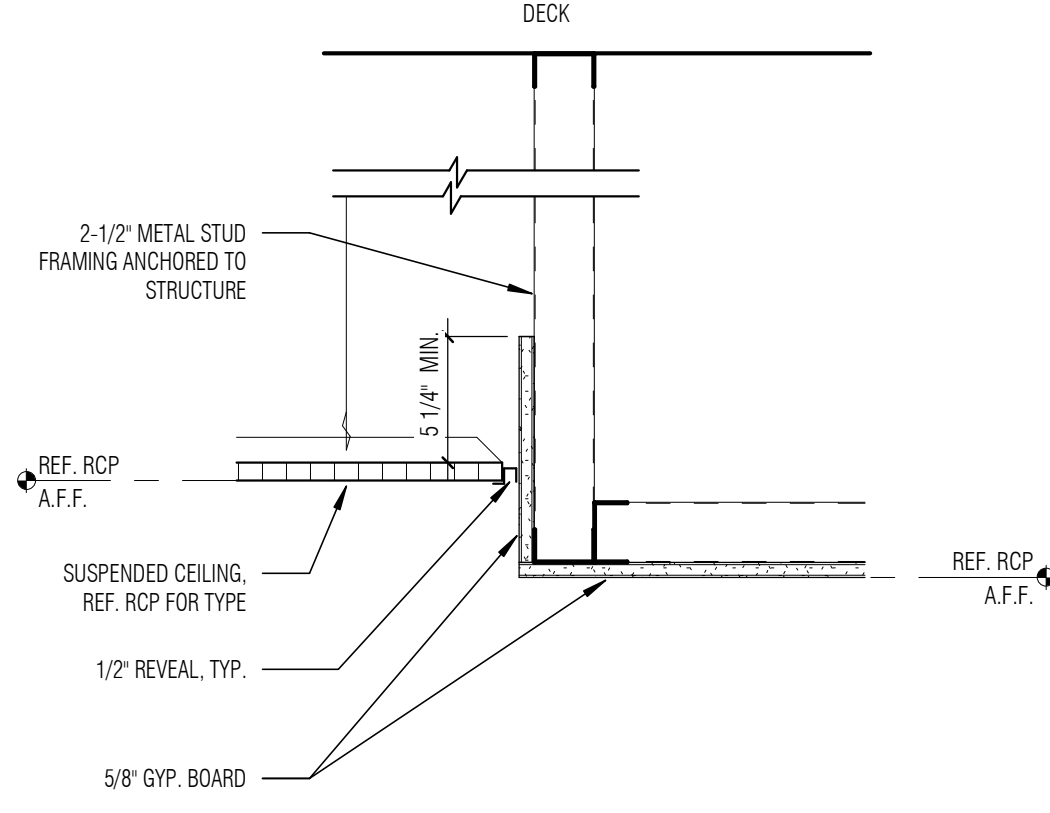
4 GYP BULKHEAD AT LAY-IN CEILING
SCALE: 1 1/2" = 1'-0"



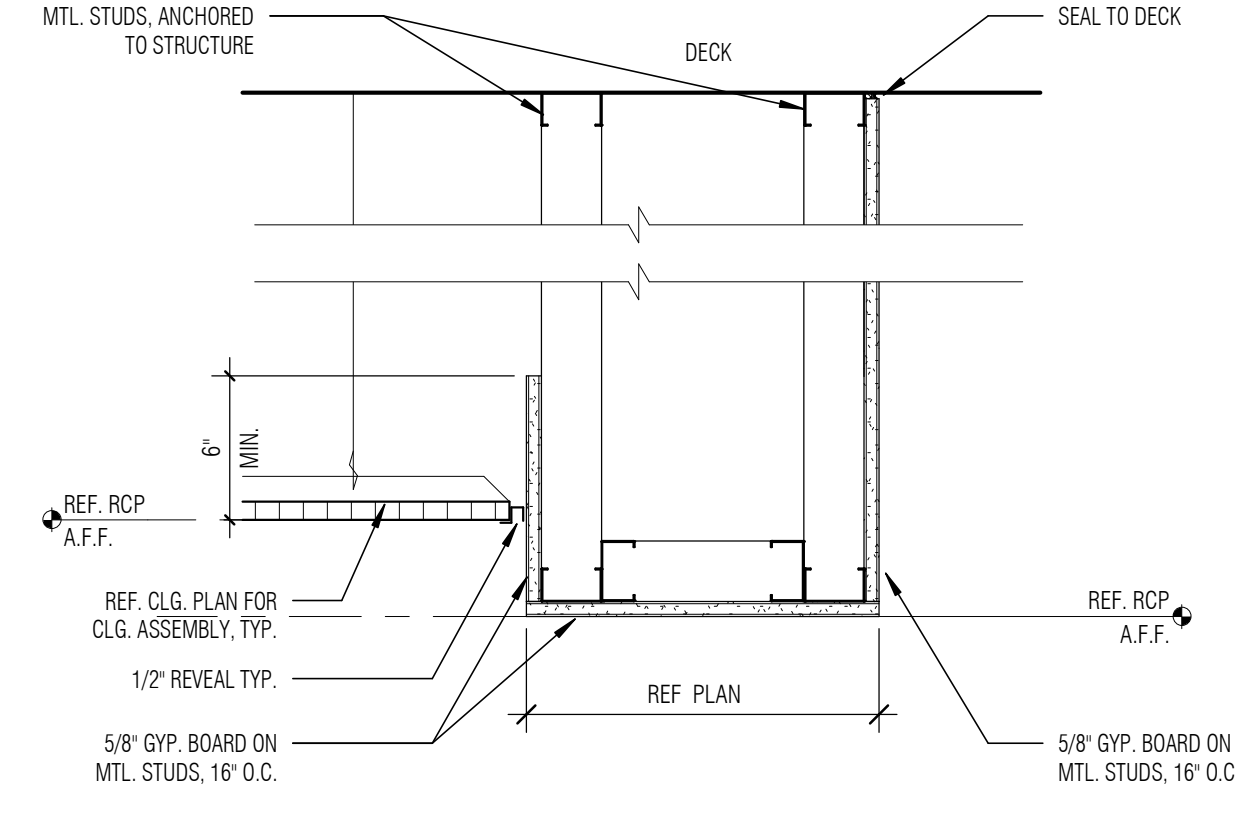
5 CD STUD GYP-GYP STEP
SCALE: 1 1/2" = 1'-0"



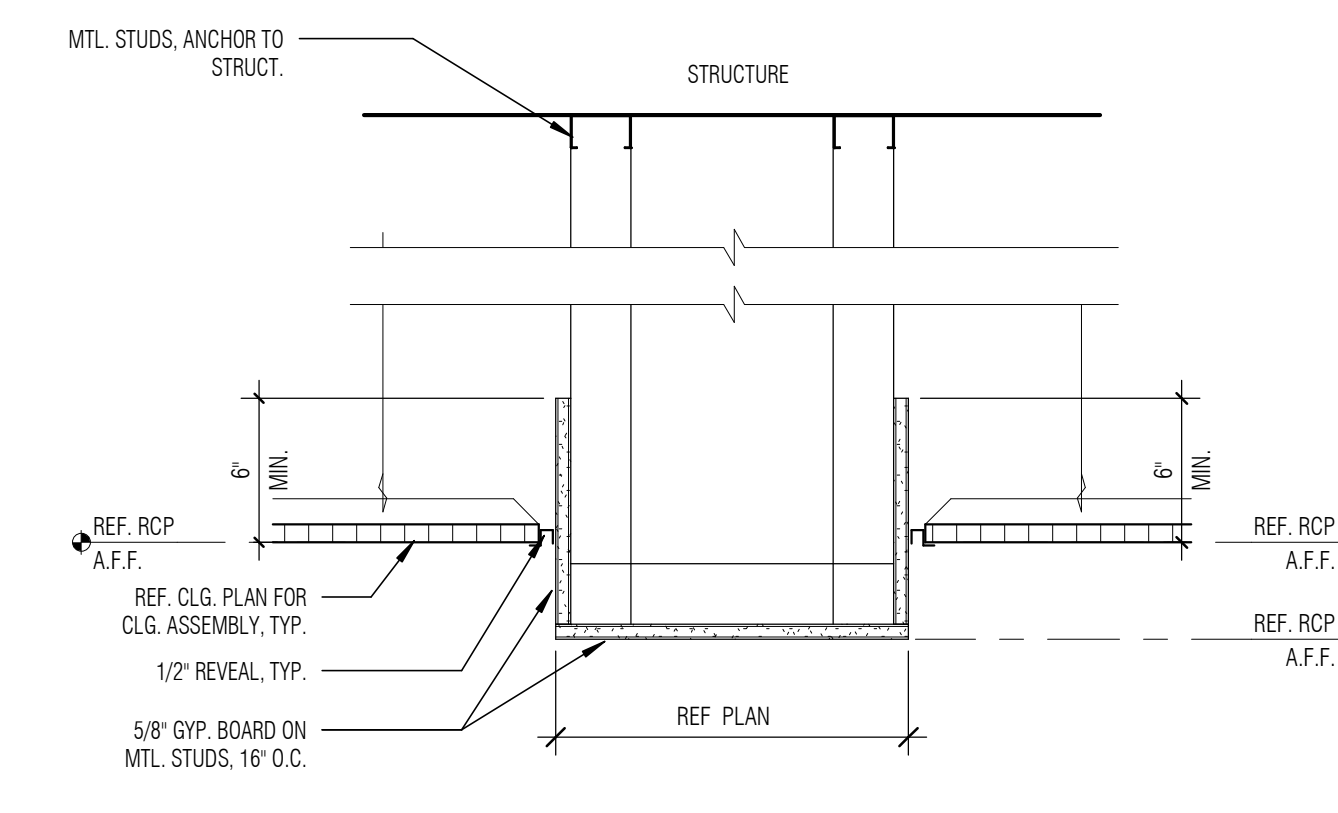
6 CD STUD-GYP EDGE NO CLG
SCALE: 1 1/2" = 1'-0"



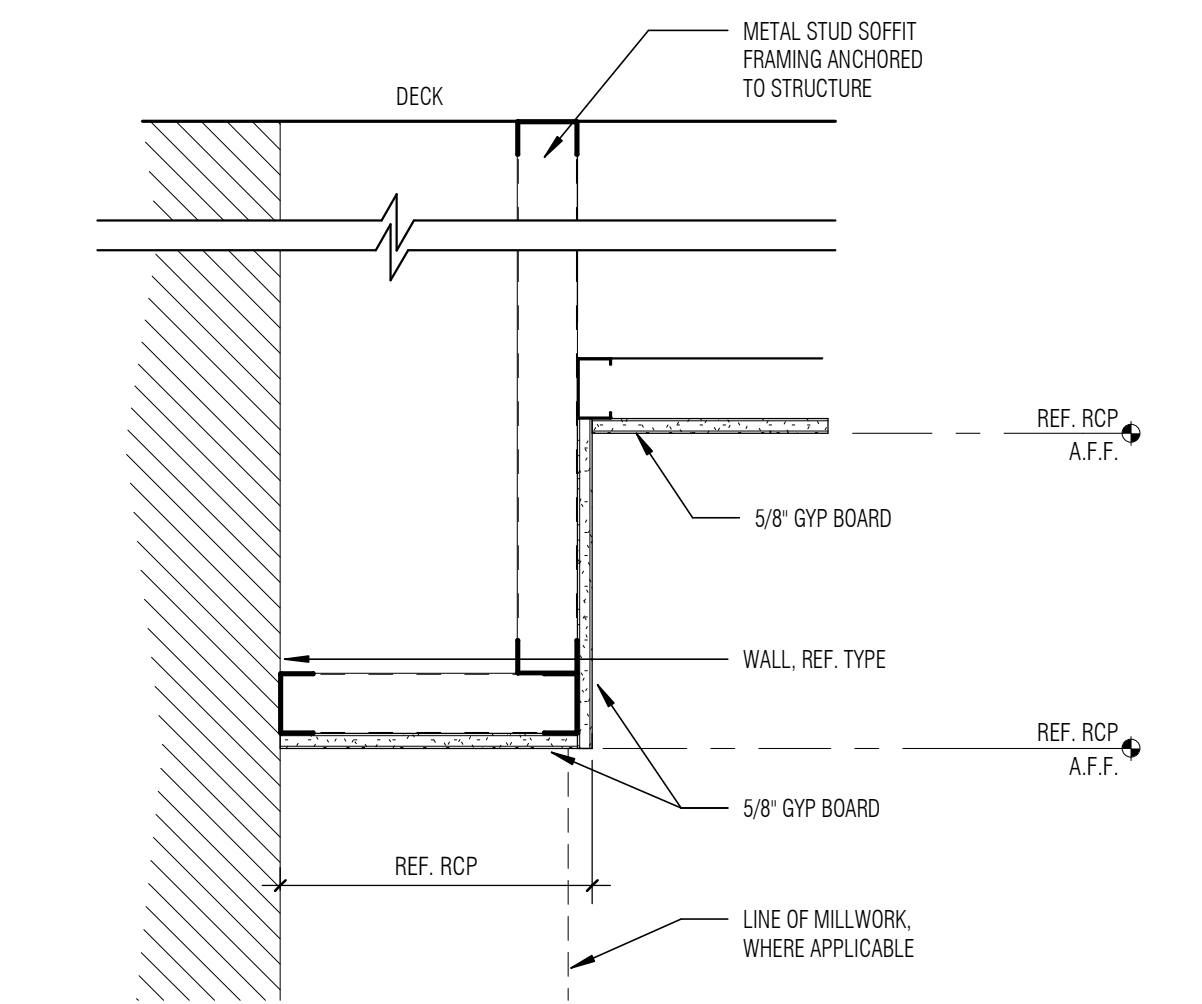
7 CD STUD-GYP EDGE W/ CLG
SCALE: 1 1/2" = 1'-0"



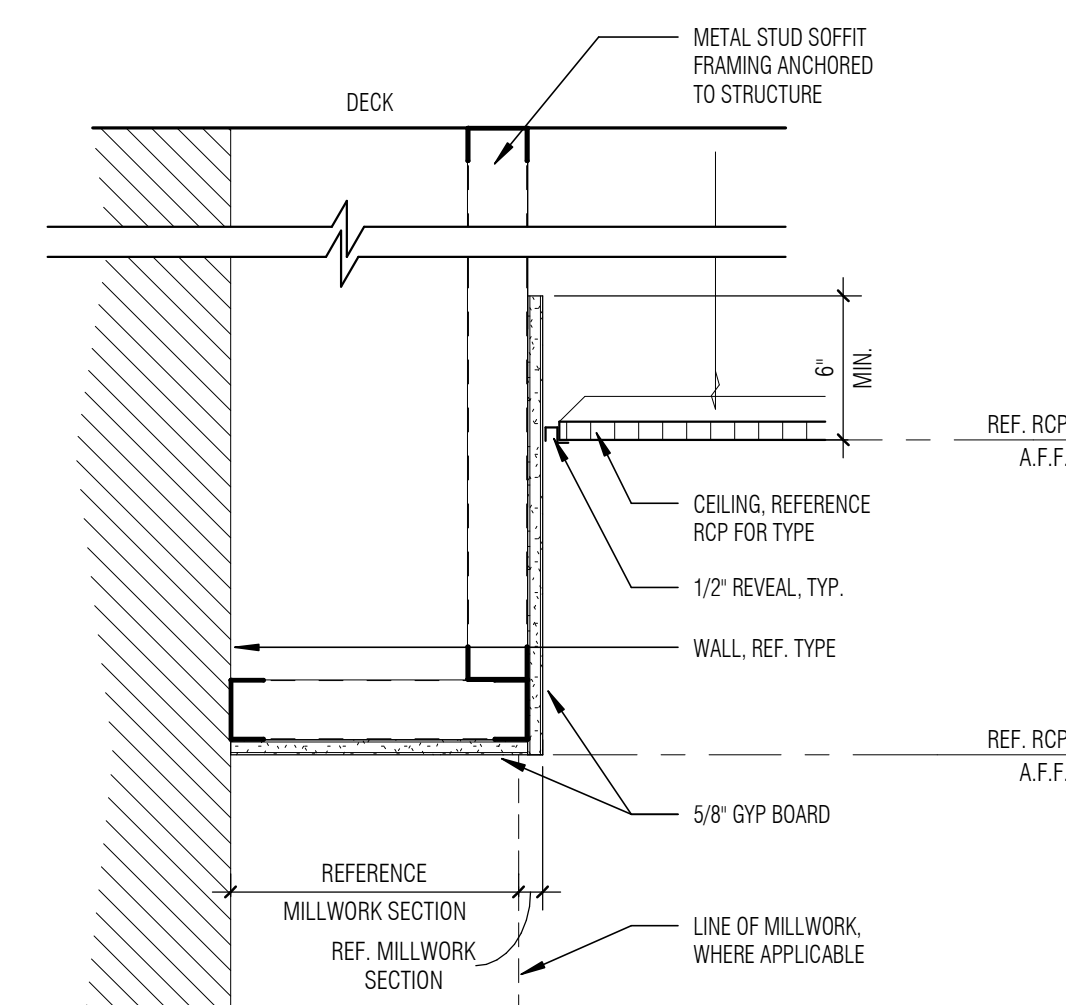
8 GYP. BULKHEAD AT GYP./ LAY-IN CLG
SCALE: 1 1/2" = 1'-0"



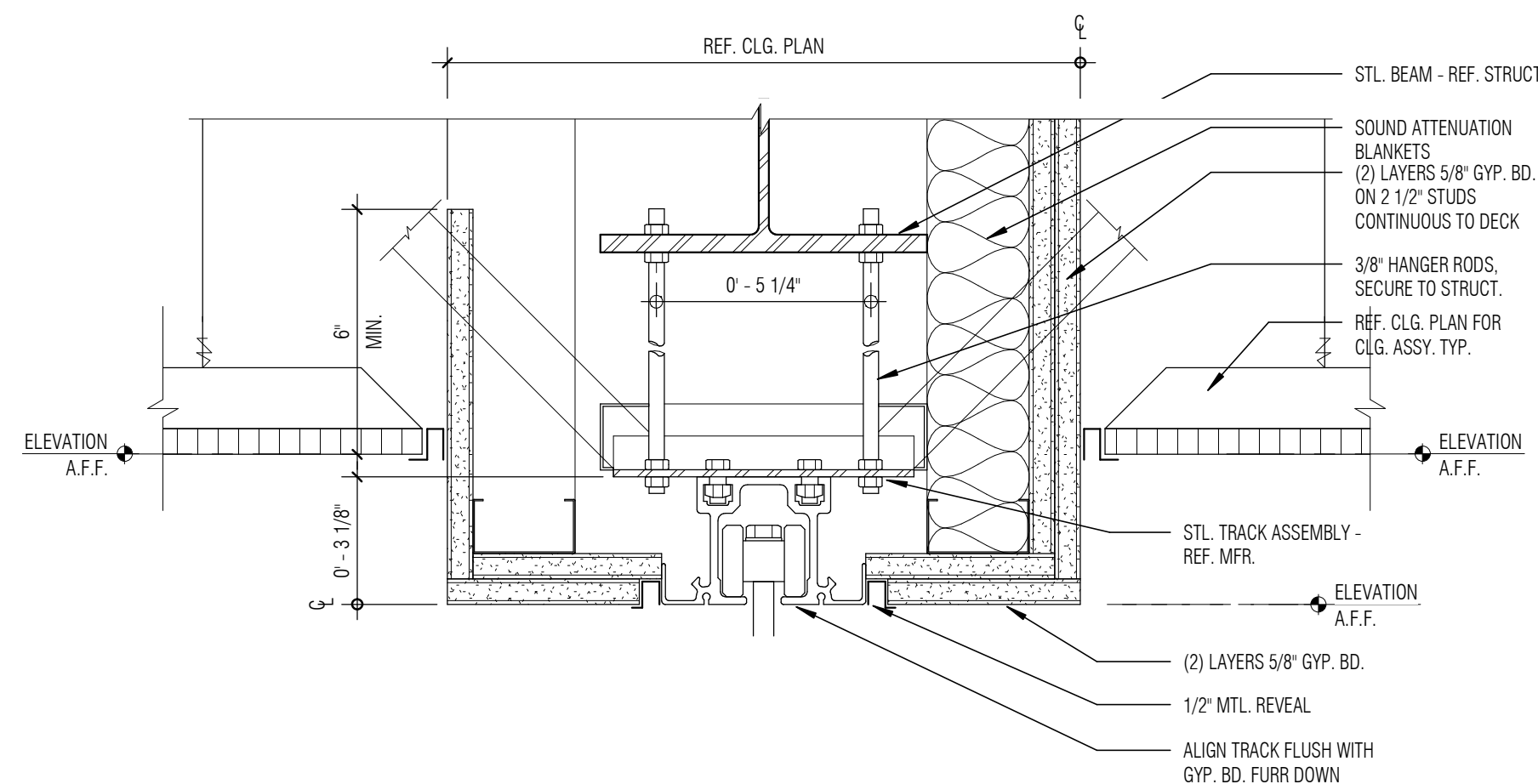
9 CD STUD-GYP BULKHEAD WIDE SUSP CLG
SCALE: 1 1/2" = 1'-0"



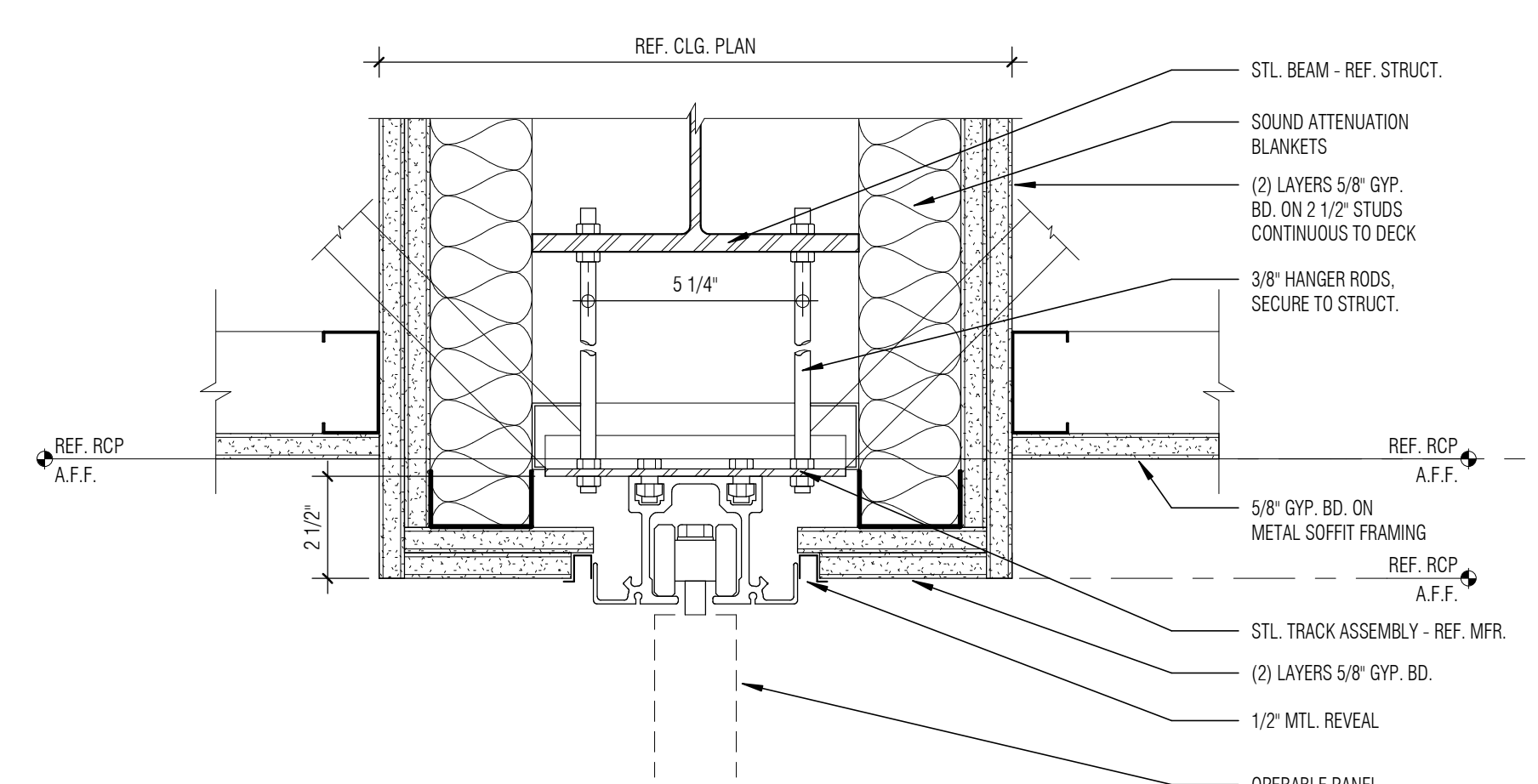
10 GYP. FURRDOWN ABOVE MILLWORK
SCALE: 1 1/2" = 1'-0"



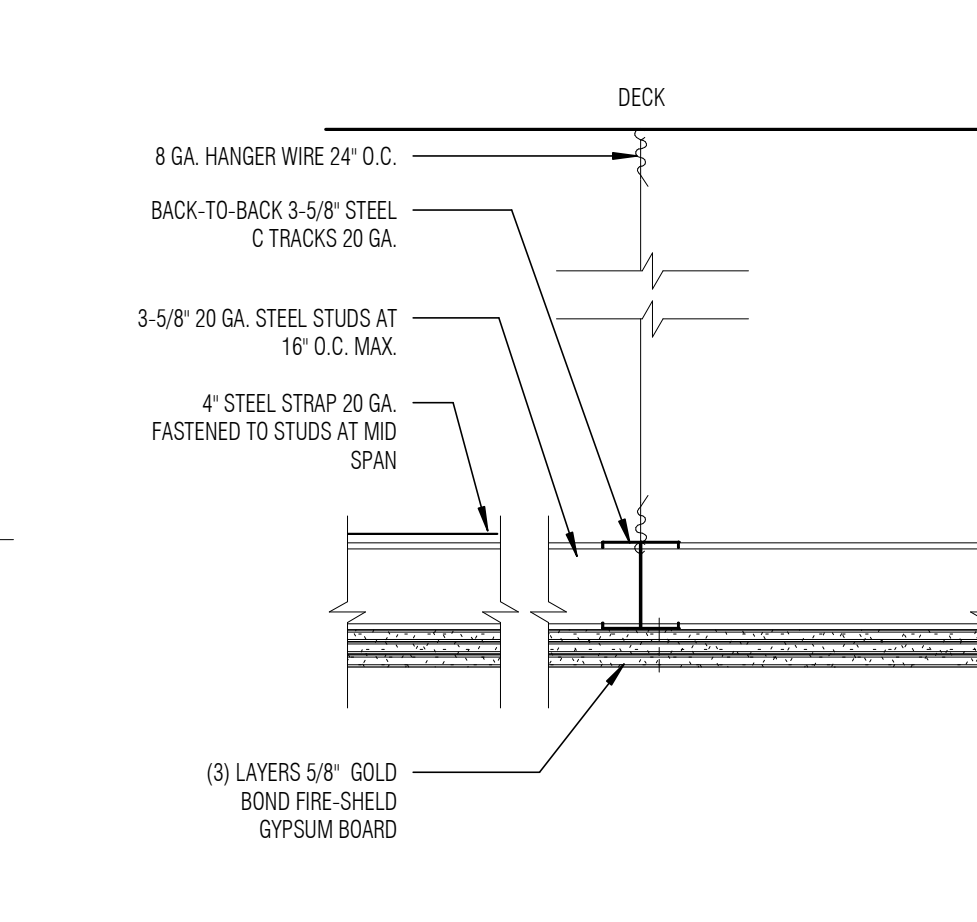
11 CD STUD-GYP CAB FURRDWN W/ CLG
SCALE: 1 1/2" = 1'-0"



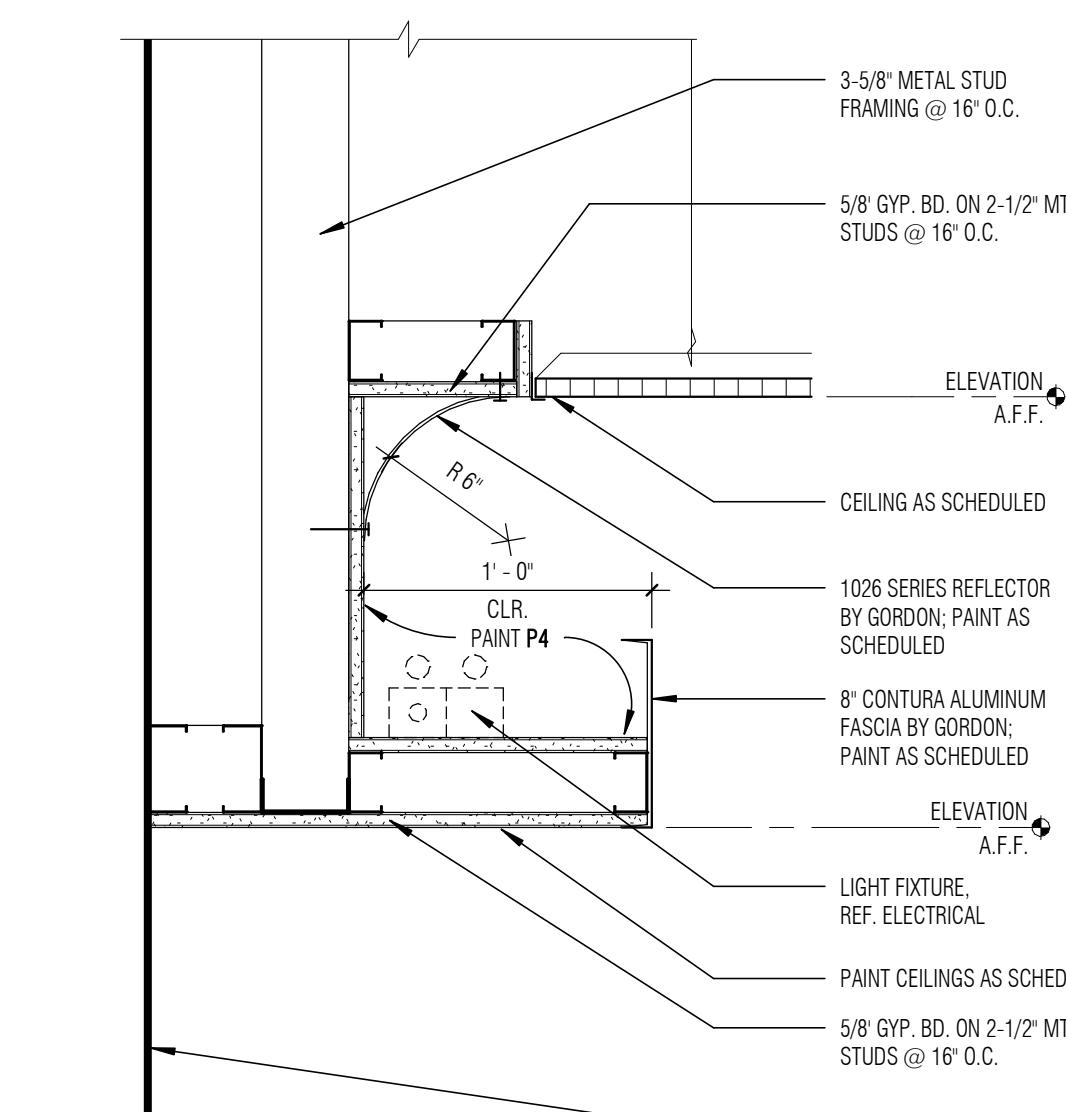
12 03 OPERABLE PARTITION
SCALE: 3" = 1'-0"



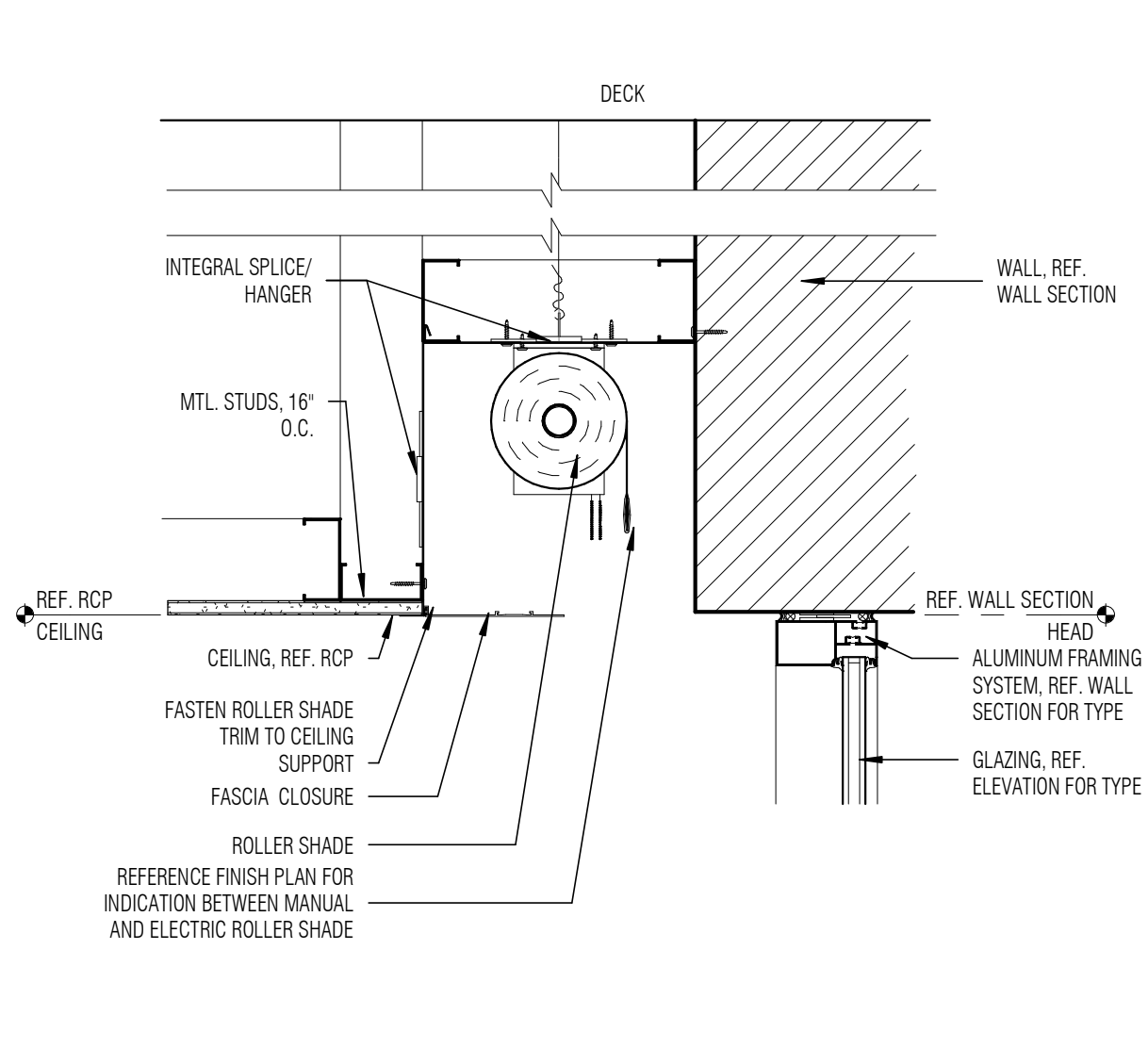
13 CD STUD GYP-GYP OPERABLE PARTITION
SCALE: 3" = 1'-0"



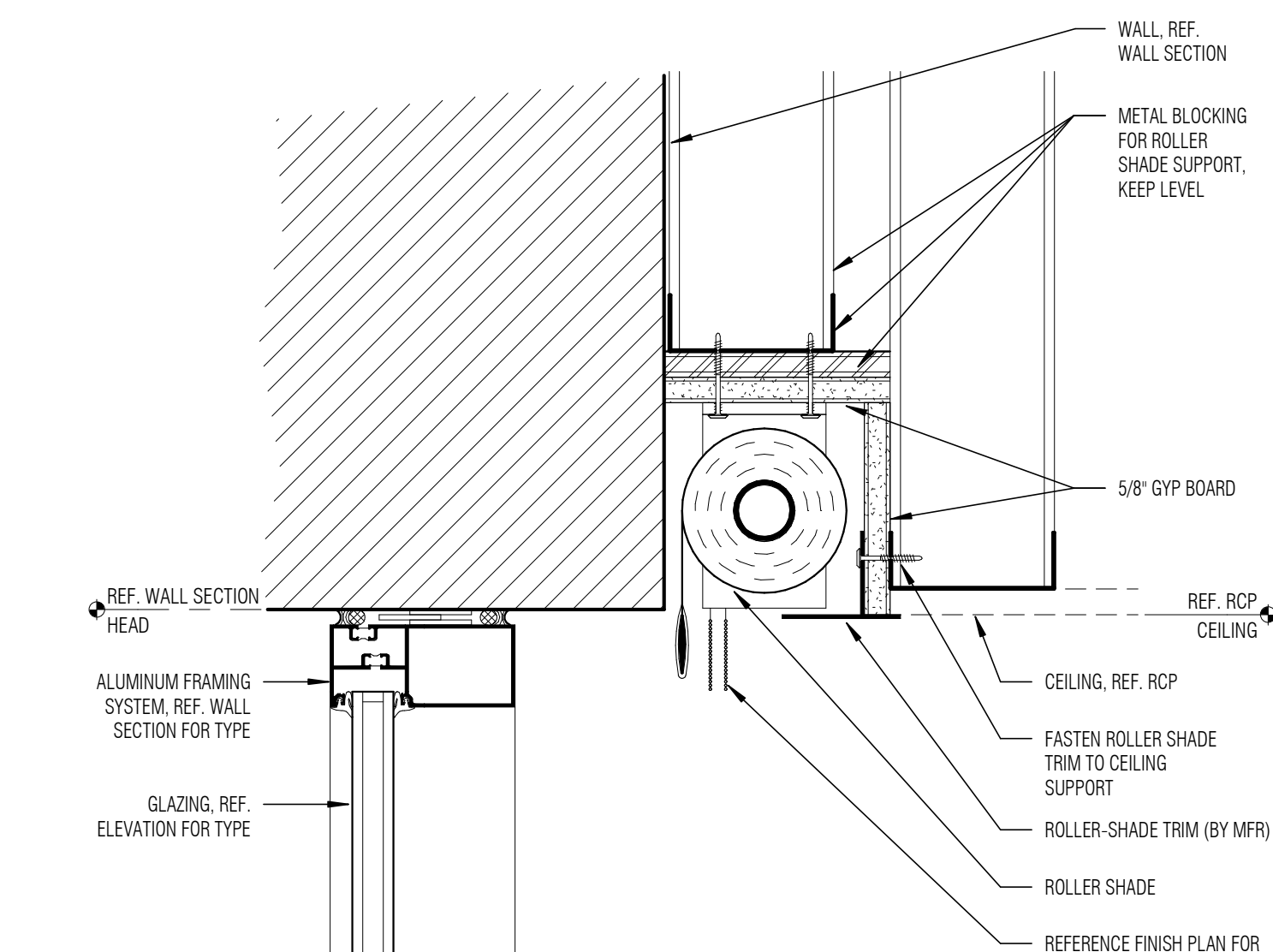
14 CD 1-HR HORIZONTAL ASSEMBLY-UL1504
SCALE: 1 1/2" = 1'-0"



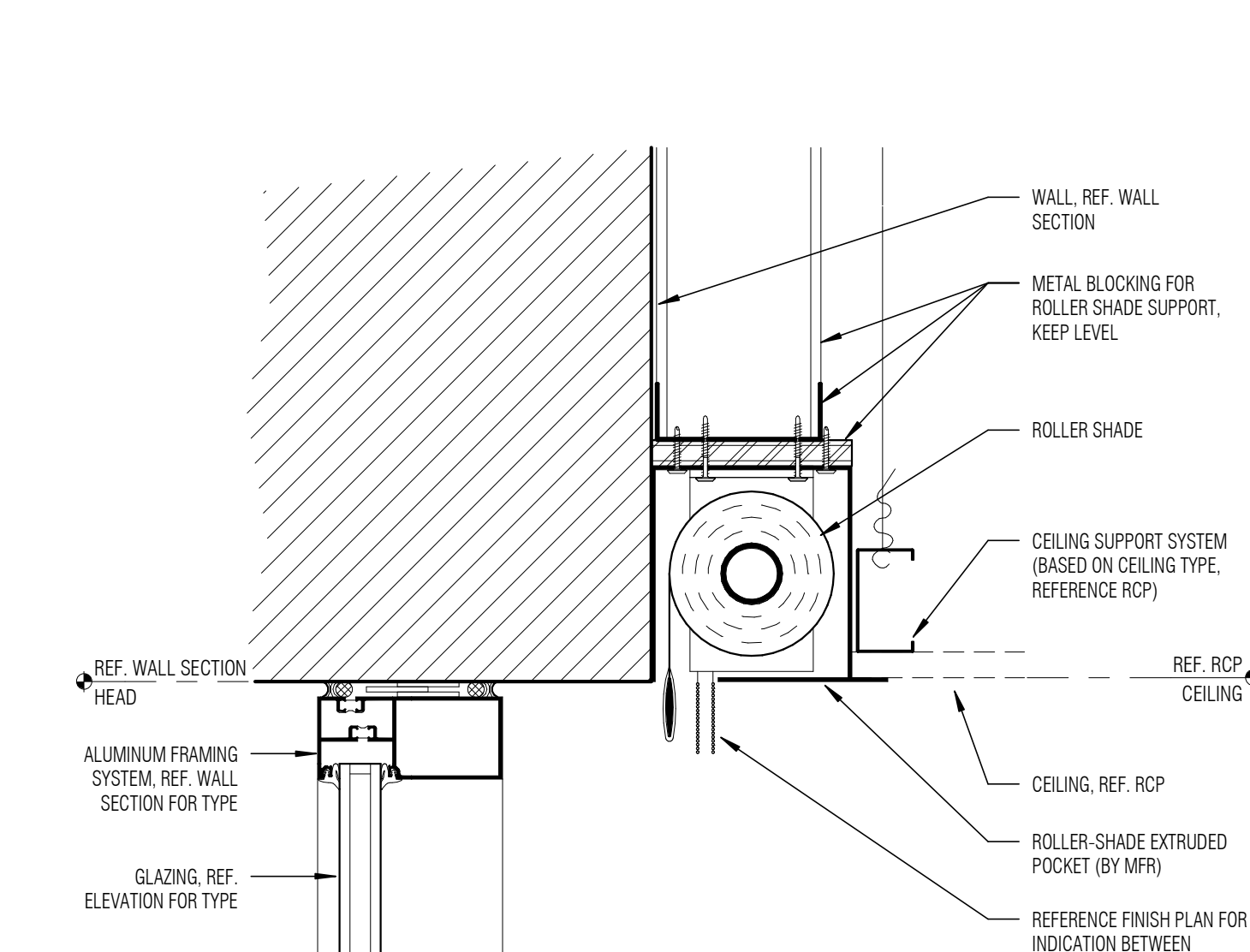
15 CD LIGHTING COVE W/ REFLECTOR
SCALE: 1 1/2" = 1'-0"



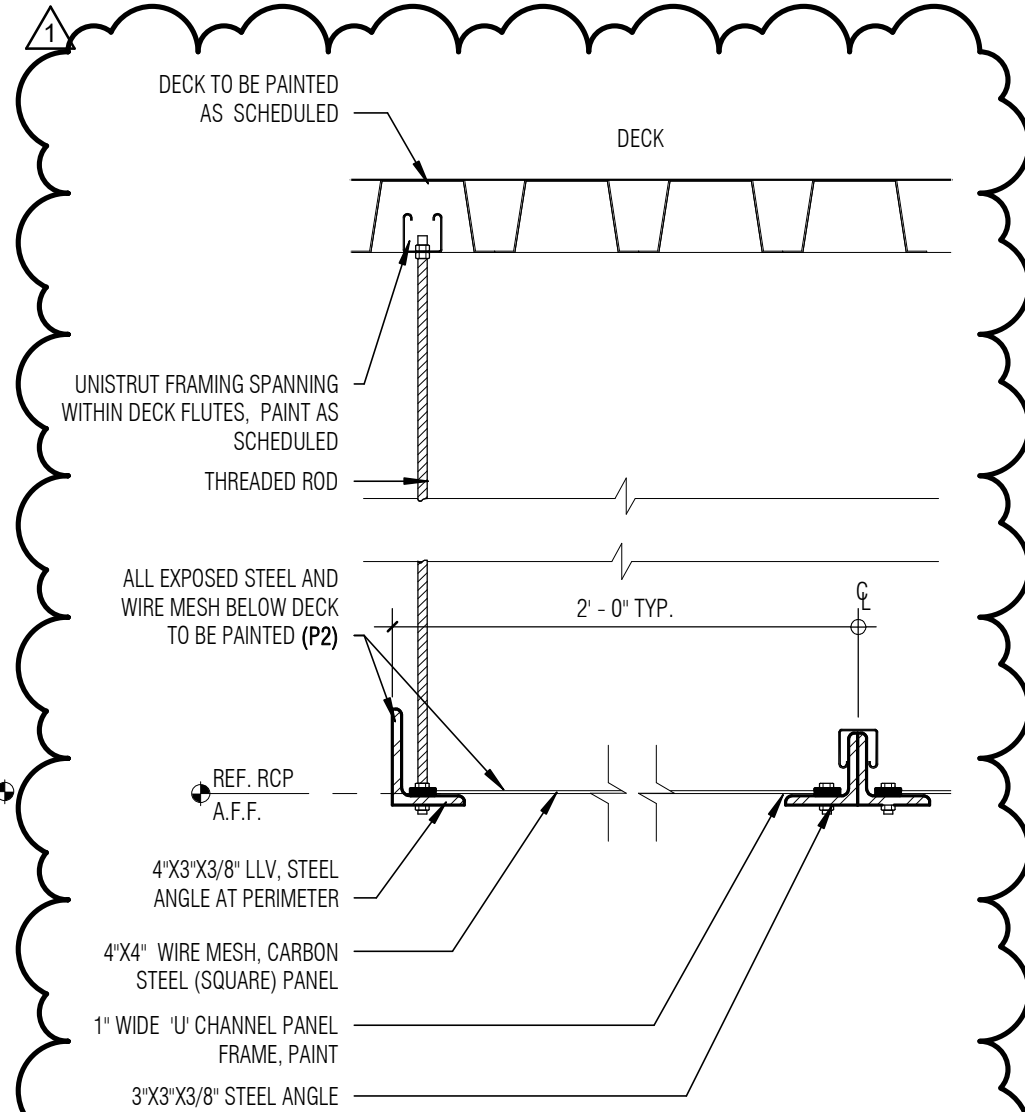
16 ROLLER SHADE STANDARD FASCIA TRIM POCKET
SCALE: 1 1/2" = 1'-0"



17 FD ROLLER SHADE STANDARD GYP-PCKT
SCALE: 3" = 1'-0"

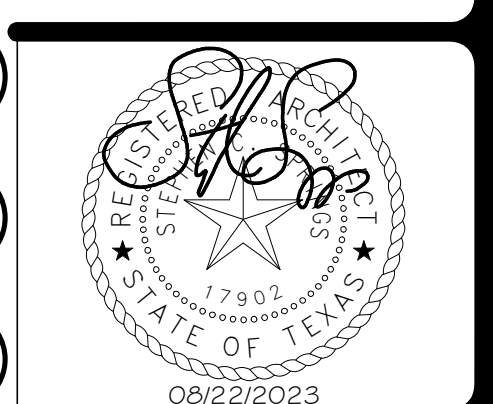


18 FD ROLLER SHADE STANDARD PCKT
SCALE: 3" = 1'-0"



19 STL. ANGLE - WIRE MESH CLOUD
SCALE: 1 1/2" = 1'-0"

HISTORY		
#	DATE	DESCRIPTION
1	08/22/2023	ADDENDUM # 3



CEILING DETAILS

Deer Park Community Recreation Center

610 E San Augustine St
Deer Park, TX 77536

VOLUME 1

BRINKLEY SARGENT WIGINTON ARCHITECTS

Architect: Brinkley Sargent Wiginton Architects (972) 966-9970
Landscape: Kendall Landscape Architecture (214) 739-3226
Structural: L.A. Fuess Partners, Inc (214) 871-7010
MEP: M-E Engineers (214) 741-1889
Civil: Kimley-Horn (713) 510-9408
Acoustics: Cousins-Humsker (314) 894-1245